

# SHIELDING HOMES & SAFEGUARDING PRECIOUS LIVES



MCBs & Isolators



RCCB & RCBO



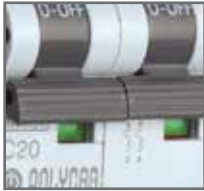
MCB Changeover & ACCL



Distribution Boards



## FEATURES



### Positive Contact Position Indication:

Red and Green flag indication provided below the knob gives indication of positive electrical ON/OFF contact status irrespective of mounting or knob position even from a distance.



### Enhanced Safety:

Finger proof terminals are designed to eliminate accidental contact with live part complying with IP20 protection category. Install, operate and maintain our MCBs with confidence.



### Attractive Label Holder:

Polycab MCB is provided with transparent coloured label holder which is positioned on top of the knob for inserting labels for circuit identification and hence reducing maintenance down time.



### Energy Limiting Class-3:

Rapid arc quenching mechanism in our MCB ensures extinguishing of the arc within quarter cycle (3 to 5 milliseconds) thus minimizing the energy flow through the circuit. This ensures minimizing risk of fire and maximizing the life of your equipment.



### Large & Dual Terminal:

Polycab MCBs can accommodate cables upto 35sq.mm cross section area thus making it suitable for copper as well as aluminium cables. Both cable and busbar can be terminated at both the end.



### Aesthetically Designed with Safety:

Aesthetically designed Flame Retardant body ensures safety in case of accidental fire.



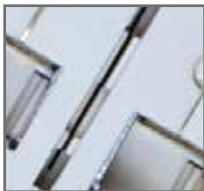
### Bi-stable Din Clip Position:

Convenience of mounting on Din Rail is easy with Polycab MCB. And also, the MCBs can be easily changed from a bank of devices connected by a busbar without disturbing your existing wiring.



### High Quality Contact Tips:

Silver graphite anti-weld contact tips ensure higher life and maximum safety against contact welding thus enhancing safety and life of the device.



### Air Flow Channel:

When two or more poles are placed adjacent to each other, the designed depression in the body cover forms a tunnel and serves as paths for air circulation thus hot air is expelled out faster resulting in reduced body temperature.



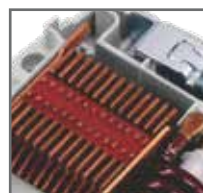
### Energy Saver:

Power loss values upto 70% lesser than specified by IEC/IS; making Polyshield MCB one of the most energy efficient MCB.



### Ease of Clamping:

Input and output clamps on the MCB is provided with combi-head screws which have both the standard slot as well as double head which can be tightened by standard screwdriver as well as Philip screwdriver thus catering to tool availability.



### 13 Plates Arc Chamber:

Quick & Efficient Arc Quenching.

## INDEX

MCBs (Miniature Circuit Breaker)	01 - 03
Isolators	04
MCB Changeover	05
RCDs	06 - 07
ACCL	10
POLYSHIELD Distribution Boards	11 - 18
DECOUR Distribution Boards	19 - 23

## MCBs

### MINIATURE CIRCUIT BREAKER (MCB)

(In accordance with IS / IEC 60898-1)

240V/ 415V AC, 50Hz, 10kA Breaking Capacity



B - Curve SP MCB			C - Curve SP MCB	
Rating (In)	Item Code	MRP/ Unit ₹	Item Code	MRP/ Unit ₹
6 A	GMM101P001	215/-	GMM201P001	222/-
10 A	GMM101P002	215/-	GMM201P002	222/-
16 A	GMM101P003	215/-	GMM201P003	222/-
20 A	GMM101P004	215/-	GMM201P004	222/-
25 A	GMM101P005	215/-	GMM201P005	222/-
32 A	GMM101P006	215/-	GMM201P006	222/-
40 A	GMM101P007	452/-	GMM201P007	462/-
63 A	-	-	GMM201P008	538/-



C - Curve SPN MCB			C - Curve DP MCB	
Rating (In)	Item Code	MRP/ Unit ₹	Item Code	MRP/ Unit ₹
6 A	GMM201N001	727/-	GMM202P001	741/-
10 A	GMM201N002	727/-	GMM202P002	741/-
16 A	GMM201N003	727/-	GMM202P003	741/-
20 A	GMM201N004	727/-	GMM202P004	741/-
25 A	GMM201N005	727/-	GMM202P005	741/-
32 A	GMM201N006	727/-	GMM202P006	741/-
40 A	GMM201N007	1002/-	GMM202P007	1,082/-
63 A	GMM201N008	1,184/-	GMM202P008	1,197/-



C - Curve TP MCB		
Rating (In)	Item Code	MRP/ Unit ₹
6 A	GMM203P001	1,199/-
10 A	GMM203P002	1,199/-
16 A	GMM203P003	1,199/-
20 A	GMM203P004	1,199/-
25 A	GMM203P005	1,199/-
32 A	GMM203P006	1,199/-
40 A	GMM203P007	1,675/-
63 A	GMM203P008	1,853/-



C - Curve TPN MCB			C - Curve FP MCB	
Rating (In)	Item Code	MRP/ Unit ₹	Item Code	MRP/ Unit ₹
6 A	GMM203N001	1,583/-	GMM204P001	1,591/-
10 A	GMM203N002	1,583/-	GMM204P002	1,591/-
16 A	GMM203N003	1,583/-	GMM204P003	1,591/-
20 A	GMM203N004	1,583/-	GMM204P004	1,591/-
25 A	GMM203N005	1,583/-	GMM204P005	1,591/-
32 A	GMM203N006	1,583/-	GMM204P006	1,591/-
40 A	GMM203N007	2,098/-	GMM204P007	2,168/-
63 A	GMM203N008	2,287/-	GMM204P008	2,367/-

## MCBs

### MINIATURE CIRCUIT BREAKER (MCB)

(In accordance with IS / IEC 60898-1)

240V/ 415V AC, 50Hz, 10kA Breaking Capacity



C - Curve SP MCB			C - Curve DP MCB	
Rating (In)	Item Code	MRP/ Unit ₹	Item Code	MRP/ Unit ₹
0.5A	GMM201P012	340/-	GMM202P012	1,025/-
1A	GMM201P013	340/-	GMM202P013	1,025/-
2A	GMM201P014	340/-	GMM202P014	1,025/-
3A	GMM201P015	340/-	GMM202P015	1,025/-
4A	GMM201P016	340/-	GMM202P016	1,025/-
5A	GMM201P017	340/-	GMM202P017	1,025/-



C - Curve TP MCB			C - Curve FP MCB	
Rating (In)	Item Code	MRP/ Unit ₹	Item Code	MRP/ Unit ₹
0.5A	GMM203P012	1,437/-	GMM204P012	1,978/-
1A	GMM203P013	1,437/-	GMM204P013	1,978/-
2A	GMM203P014	1,437/-	GMM204P014	1,978/-
3A	GMM203P015	1,437/-	GMM204P015	1,978/-
4A	GMM203P016	1,437/-	GMM204P016	1,978/-
5A	GMM203P017	1,437/-	GMM204P017	1,978/-

### MINIATURE CIRCUIT BREAKER (MCB)

(In accordance with IS / IEC 60947-2)

240V/ 415V AC, 50Hz, 10kA Breaking Capacity



D - Curve SP MCB			D - Curve DP MCB	
Rating (In)	Item Code	MRP/ Unit ₹	Item Code	MRP/ Unit ₹
6 A	GMM301P001	390/-	GMM302P001	835/-
10 A	GMM301P002	390/-	GMM302P002	835/-
16 A	GMM301P003	390/-	GMM302P003	835/-
20 A	GMM301P004	390/-	GMM302P004	835/-
25 A	GMM301P005	390/-	GMM302P005	835/-
32 A	GMM301P006	390/-	GMM302P006	835/-
40 A	GMM301P007	600/-	GMM302P007	1,280/-
63 A	GMM301P008	620/-	GMM302P008	1,340/-



D - Curve TP MCB			D - Curve FP MCB	
Rating (In)	Item Code	MRP/ Unit ₹	Item Code	MRP/ Unit ₹
6 A	GMM303P001	1,350/-	GMM304P001	1,750/-
10 A	GMM303P002	1,350/-	GMM304P002	1,750/-
16 A	GMM303P003	1,350/-	GMM304P003	1,750/-
20 A	GMM303P004	1,350/-	GMM304P004	1,750/-
25 A	GMM303P005	1,350/-	GMM304P005	1,750/-
32 A	GMM303P006	1,350/-	GMM304P006	1,750/-
40 A	GMM303P007	1,945/-	GMM304P007	2,470/-
63 A	GMM303P008	1,965/-	GMM304P008	2,520/-

## MCBs



### MINIATURE CIRCUIT BREAKER (MCB) for DC Installations

(In accordance with IEC 60947-2) 250Vdc per pole, 6kA Breaking Capacity

SP MCB		
Rating (In)	Item Code	MRP/ Unit ₹
0.5A	GMM401P012	580/-
1A	GMM401P013	580/-
2A	GMM401P014	580/-
3A	GMM401P015	580/-
4A	GMM401P016	580/-
5A	GMM401P017	580/-
6A	GMM401P001	480/-
10A	GMM401P002	480/-
16A	GMM401P003	480/-
20A	GMM401P004	480/-
25A	GMM401P005	480/-
32A	GMM401P006	480/-
40A	GMM401P007	640/-
50A	GMM401P018	640/-
63A	GMM401P008	640/-



### MINIATURE CIRCUIT BREAKER (MCB) for DC Installations

(In accordance with IEC 60947-2) 250Vdc per pole, 6kA Breaking Capacity

DP MCB			FP MCB	
Rating (In)	Item Code	MRP/ Unit ₹	Item Code	MRP/ Unit ₹
0.5A	GMM402P012	1,150/-	GMM404P012	2,310/-
1A	GMM402P013	1,150/-	GMM404P013	2,310/-
2A	GMM402P014	1,150/-	GMM404P014	2,310/-
3A	GMM402P015	1,150/-	GMM404P015	2,310/-
4A	GMM402P016	1,150/-	GMM404P016	2,310/-
5A	GMM402P017	1,150/-	GMM404P017	2,310/-
6A	GMM402P001	1,000/-	GMM404P001	2,050/-
10A	GMM402P002	1,000/-	GMM404P002	2,050/-
16A	GMM402P003	1,000/-	GMM404P003	2,050/-
20A	GMM402P004	1,000/-	GMM404P004	2,050/-
25A	GMM402P005	1,000/-	GMM404P005	2,050/-
32A	GMM402P006	1,000/-	GMM404P006	2,050/-
40A	GMM402P007	1,365/-	GMM404P007	2,730/-
50A	GMM402P018	1,365/-	GMM404P018	2,730/-
63A	GMM402P008	1,365/-	GMM404P008	2,730/-



### Mini DP MINIATURE CIRCUIT BREAKER (MCB) with Enclosure



MINI DP MCB WITH ENCLOSURE		
Description	Item Code	MRP/ Unit ₹
16A DP C MINI MCB with FR Enclosure	GMM102E003	555/-
20A DP C MINI MCB with FR Enclosure	GMM102E004	555/-
25A DP C MINI MCB with FR Enclosure	GMM102E005	555/-
32A DP C MINI MCB with FR Enclosure	GMM102E006	555/-

# ISOLATORS

## MCB ISOLATORS

(In accordance with IS / IEC 60947-3)  
240V/ 415V AC, 50Hz, AC - 22A



SP		
Rating (In)	Item Code	MRP/ Unit ₹
40A	GMS501P001	345/-
63A	GMS501P002	401/-



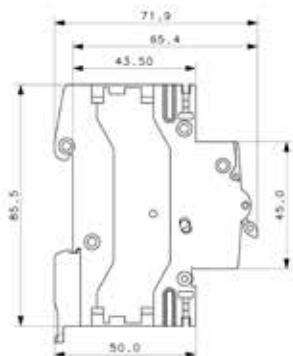
DP		
Rating (In)	Item Code	MRP/ Unit ₹
40A	GMS502P001	510/-
63A	GMS502P002	625/-
80A	GMS502P003	814/-
100A	GMS502P004	822/-
125A	GMS502P005	853/-



TP			FP	
Rating (In)	Item Code	MRP/ Unit ₹	Item Code	MRP/ Unit ₹
40A	GMS503P001	771/-	GMS504P001	1,028/-
63A	GMS503P002	942/-	GMS504P002	1,193/-
80A	GMS503P003	1,182/-	GMS504P003	1,656/-
100A	GMS503P004	1,234/-	GMS504P004	1,656/-
125A	GMS503P005	1,234/-	GMS504P005	1,767/-

Note: Packing (Primary / Secondary / Master): SP-1 / 12 / 108; DP-1 / 6 / 54; TP-1 / 4 / 36; FP-1 / 3 / 27.

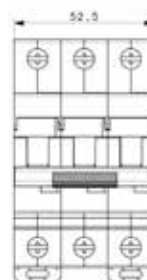
## DIMENSION DETAILS OF MCB's / ISOLATORS



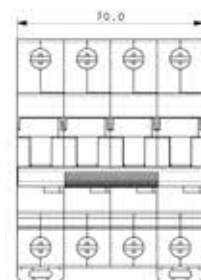
1P



1P + N & 2P



3P



3P + N & 4P



## MCB CHANGEOVER

### MCB Changeover Switch (In accordance with IS/IEC 60947-3)



DP		
Rating (In)	Item Code	MRP/ Unit ₹
25A	GMC102P001	1,001/-
40A	GMC102P002	1,320/-
63A	GMC102P003	1,650/-

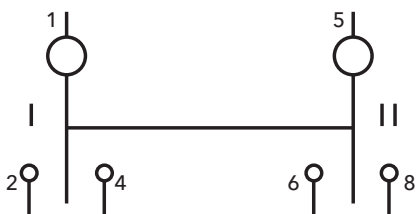


FP		
Rating (In)	Item Code	MRP/ Unit ₹
25A	GMC104P001	2,020/-
40A	GMC104P002	2,660/-
63A	GMC104P003	3,340/-

Note: Packing (Primary / Secondary / Master): DP-1 / 6 / 54; FP-1 / 3 / 27.

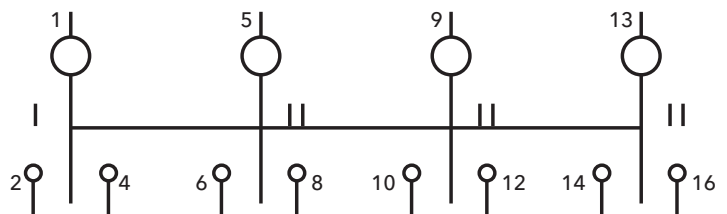
### Connection Diagram

#### Two Pole



"I" - Incoming terminals (main supply 2 & 6)  
 "II" - Incoming terminals (standby supply 4 & 8)  
 Outgoing terminals (to load 1 & 5)  
 Mid position of Knob is OFF position

#### Four Pole



"I" - Incoming terminals (main supply 2, 6, 10 & 14)  
 "II" - Incoming terminals (standby supply 4, 8, 12 & 16)  
 Outgoing terminals (to load 1, 5, 9 & 13)  
 Mid position of Knob is OFF position

## RCDs

### RESIDUAL CURRENT CIRCUIT BREAKER (RCCB)

(In accordance with IS 12640-1, IEC 61008-1)



DP			
Rating (In)	Sensitivity	Item Code	MRP/ Unit ₹
25A	30mA	GMR502P003	2,590/-
25A	100mA	GMR502P009	2,680/-
25A	300mA	GMR502P015	2,680/-
40A	30mA	GMR502P005	2,870/-
40A	100mA	GMR502P011	2,920/-
40A	300mA	GMR502P017	2,920/-
63A	30mA	GMR502P006	3,650/-
63A	100mA	GMR502P012	3,690/-
63A	300mA	GMR502P018	3,690/-



FP			
Rating (In)	Sensitivity	Item Code	MRP/ Unit ₹
25A	30mA	GMR504P003	3,390/-
25A	100mA	GMR504P009	3,450/-
25A	300mA	GMR504P015	3,450/-
40A	30mA	GMR504P005	3,460/-
40A	100mA	GMR504P011	3,520/-
40A	300mA	GMR504P017	3,520/-
63A	30mA	GMR504P006	3,850/-
63A	100mA	GMR504P012	3,900/-
63A	300mA	GMR504P018	3,900/-

Note: Packing (Primary / Secondary / Master): DP-1 / 6 / 36 ; FP - 1 / 3 / 18.

### RESIDUAL CURRENT CIRCUIT BREAKER WITH OVER CURRENT PROTECTION (RCBO)

(In accordance with IS 12640-2, IEC 61009-1)



DP			
Rating (In)	Sensitivity	Item Code	MRP/ Unit ₹
6A	30mA	GMB101N001	3,610/-
6A	100mA	GMB201N001	3,745/-
6A	300mA	GMB301N001	3,745/-
10A	30mA	GMB101N002	3,610/-
10A	100mA	GMB201N002	3,745/-
10A	300mA	GMB301N002	3,745/-
16A	30mA	GMB101N003	3,610/-
16A	100mA	GMB201N003	3,745/-
16A	300mA	GMB301N003	3,745/-
20A	30mA	GMB101N004	3,610/-
20A	100mA	GMB201N004	3,745/-
20A	300mA	GMB301N004	3,745/-
25A	30mA	GMB101N005	3,610/-
25A	100mA	GMB201N005	3,745/-
25A	300mA	GMB301N005	3,745/-

## RCDs

32A	30mA	GMB101N006	3,610/-
32A	100mA	GMB201N006	3,745/-
32A	300mA	GMB301N006	3,745/-
40A	30mA	GMB101N007	3,875/-
40A	100mA	GMB201N007	3,980/-
40A	300mA	GMB301N007	3,980/-
63A	30mA	GMB101N008	4,650/-
63A	100mA	GMB201N008	4,750/-
63A	300mA	GMB301N008	4,750/-

Note: Packing (Primary / Secondary / Master): DP-1 / NA / 12.

### RESIDUAL CURRENT CIRCUIT BREAKER WITH OVER CURRENT PROTECTION (RCBO)

(In accordance with IS 12640-2, IEC 61009-1)

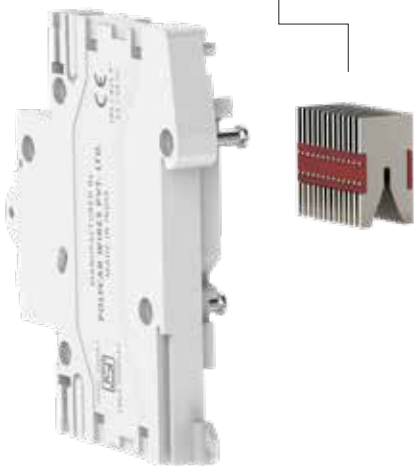


FP			
Rating (In)	Sensitivity	Item Code	MRP/ Unit ₹
6A	30mA	GMB103N001	4,710/-
6A	100mA	GMB203N001	4,280/-
6A	300mA	GMB303N001	4,280/-
10A	30mA	GMB103N002	4,710/-
10A	100mA	GMB203N002	4,280/-
10A	300mA	GMB303N002	4,280/-
16A	30mA	GMB103N003	4,710/-
16A	100mA	GMB203N003	4,280/-
16A	300mA	GMB303N003	4,280/-
20A	30mA	GMB103N004	4,710/-
20A	100mA	GMB203N004	4,280/-
20A	300mA	GMB303N004	4,280/-
25A	30mA	GMB103N005	4,710/-
25A	100mA	GMB203N005	4,280/-
25A	300mA	GMB303N005	4,280/-
32A	30mA	GMB103N006	4,710/-
32A	100mA	GMB203N006	4,280/-
32A	300mA	GMB303N006	4,280/-
40A	30mA	GMB103N007	4,770/-
40A	100mA	GMB203N007	4,530/-
40A	300mA	GMB303N007	4,530/-
63A	30mA	GMB103N008	5,130/-
63A	100mA	GMB203N008	5,245/-
63A	300mA	GMB303N008	5,245/-

Note: Packing (Primary / Secondary / Master): 1 / NA / 8.

## MCB EXPLODED VIEW

13 plate arc chute with Quick & efficient Arc Quenching: Improves the electrical and mechanical life



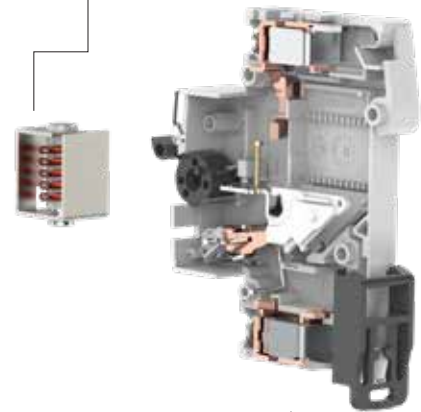
High-Grade FR Materials With Airflow Channel: For Safety and Durability

Anti weld Highly Durable Contact Tip: Ensures a better life span



Bimetallic Strip provides: Smart protection against overload

Fast trip mechanism confirms current limiting class 3: Increases System reliability



Bi connect DIN Clip & Bi connect terminals: Flexible and Easy to Install



## DOMESTIC LOAD TABLE

TYPICAL DOMESTIC LOAD			
Sr. No.	Items	Load / Wattage	MCB Rating
1	Fan	60W	*
2	Lamp, Tubelight	40W	*
3	Room Heater	200W	1 A
4	Water Heater		
	8 ltrs	1200-2000W	10 A
	15 ltrs	3000-4000W	20 A
	60 ltrs	4000-6000W	32 A
5	Immersion Heater	1000W	6 A
6	Hot Plate-single	1000W	6 A
7	Iron-Non-automatic	500W	3 A
	Automatic	1000W	6 A
8	Mixer / Juicer	300W	2 A
9	TV / VCR / VCP	200W	1 A
10	Music system	200W	1 A
11	Refrigerator		
	165 ltrs	400W	3 A
	285 ltrs	600W	4 A
	350 ltrs	750W	6 A
12	Toaster	500W	3 A
13	Vaccum Cleaner	400W	3 A
14	Washing Machine		
	without heater	300-1300W	10 A
	with heater	5000+6300W	32 A
15	Water Cooler	700W	6 A
16	Desert Cooler	300W	2 A
17	Oven	750W	6 A
18	Electric Kettle	1500W	7.5 A
19	Air Conditioner		
	1 ton	1000W	10 A
	1.5 ton	1500W	16 A
	2 ton	2000W	16 A
20	Hair Dryer	1000W	7.5 A
21	Microwave	800W	6 A

### Formula for Calculation

Rating of MCB : For Single Phase =  $\frac{\text{Total Load in Watts}}{220\text{Volt}}$  | For Three Phase =  $\frac{\text{Total Load in Watts}}{\sqrt{3} \times 415\text{Volt}}$

- The given data is only for guidance and may vary for different manufacturer.

# ACCL

## AUTOMATIC CHANGEOVER WITH CURRENT LIMITER (ACCL)

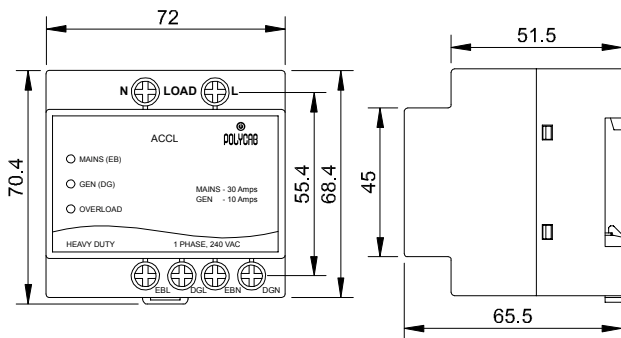
(In accordance with IEC 60947-3, IEC60947-6) 240V, 50Hz & Conditional short circuit current 5kA



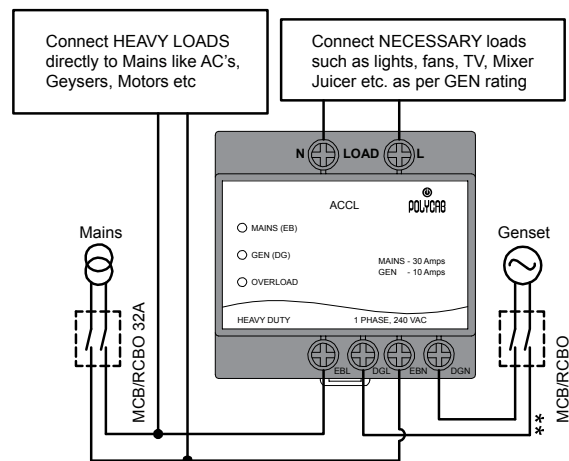
SINGLE PHASE ACCL			
ACCL Genset Current Rating	ACCL Main Current	Item Code	MRP/ Unit ₹
0.5A	30A	GMC30SP005	2,640/-
1A	30A	GMC30SP010	2,640/-
1.5A	30A	GMC30SP015	2,640/-
2.5A	30A	GMC30SP025	2,640/-
3A	30A	GMC30SP030	2,640/-
4A	30A	GMC30SP040	2,640/-
5A	30A	GMC30SP050	2,640/-
6A	30A	GMC30SP060	2,640/-
8A	30A	GMC30SP080	2,640/-
9A	30A	GMC30SP090	2,640/-
10A	30A	GMC30SP100	2,640/-
15A	30A	GMC30SP150	2,640/-
20A	30A	GMC30SP200	2,640/-
25A	30A	GMC30SP250	2,640/-
30A	30A	GMC30SP300	2,640/-

Note: Packing (Primary / Secondary / Master): 1 / NA / 18.

### Overall Mechanical Dimensions



### Recommended Load Connections



### SALIENT FEATURES

- **Safe** : IP20 protection and environment friendly FR body material
- **Technical Superiority** : Unique Contactor based technology, break before make changeover contact with higher air gap
- **Convenient** : Auto Reset Facility
- **Reliable** : Conditional short circuit current capacity 5kA
- **Low Power Consumption** : Power consumed is less than 0.2VA during Mains supply & 15VA during generator operation
- **Long Life** : 25,000 Electrical Operations
- **Heavy Duty** : Utilisation category AC22A (IEC 60947-3) & AC32A (IEC 60947-6)
- **Compact** : Can be fitted with Polycab MCB range DIN Rail mounted
- **Alert** : Overload indication on Genset side by LED and BEEP

## DISTRIBUTION BOARDS

### SALIENT FEATURES

- As per IS 13032 / IS 8623
- Aesthetically superior to suit the interiors.
- Suitable for flush and surface mounting.
- Ready to use DBs - provided with 100A phase bus-bar, Neutral bar, Cement spill protector, Earth bar and Interconnecting wires as standard accessories.
- Provided with removable top and bottom gland plates with adequate knockouts for easy wiring.
- DBs made up of CRCA sheet steel & powder coated with RAL 9003 fine white shade.



## DISTRIBUTION BOARDS



### MCB ENCLOSURE

(In accordance with IS 13032, IS 8623, IEC / BSEN 61439-3)  
(RAL - 9003 fine white texture)

**In sheet steel, suitable for 2P/4P devices**

No. of Ways	No. of Poles	Item Code	MRP/ Unit ₹
2W	DP	GPDSN10002	414/-
4W	FP	GPDTN10002	463/-



### MCB ENCLOSURE (Plastic)

(In accordance with IS 13032, IS 8623)

Description	Item Code	MRP/ Unit ₹
1/2 Pole MCB Plastic Enclosure	GPDSN1P002	110/-
3/4 Pole MCB Plastic Enclosure	GPDSN1P004	175/-

### PLUG & SOCKETS DISTRIBUTION BOARD

(In accordance with IS 13032, IS 8623, IEC / BSEN 61439-3)  
(RAL - 9003 fine white texture)



**Plug & Socket Board, with Metal Plug & Socket,  
1P+N/3P & Earth**

Rating	No. of Poles	Item Code	MRP/ Unit ₹
20A	SP	GDPS10006	887/-
20A	DP	GDPS10004	1,243/-
20A	TP	GDPS10005	1,654/-
30A	TP	GDPS20003	2,735/-



## DISTRIBUTION BOARDS

### SPN DISTRIBUTION BOARD

(In accordance with IS 13032, IS 8623, IEC / BSEN 61439-3)  
(RAL - 9003 fine white texture, IP 30 - Single Door DB)



#### SPN Distribution Board (Suitable for DP Incoming and SP Outgoing)

No. of Ways	Item Code Single Door	MRP/ Unit ₹
4W	GPDSN10016	994/-
6W	GPDSN10017	1,101/-
8W	GPDSN10018	1,189/-
12W	GPDSN10019	1,611/-
16W	GPDSN10020	1,993/-

### TPN DISTRIBUTION BOARD

(In accordance with IS 13032, IS 8623, IEC / BSEN 61439-3)  
(RAL - 9003 fine white texture, IP 30 - Single Door DB)



#### TP&N Distribution Board (Suitable for FP Incoming and SP Outgoing)

No. of Ways	I/C + O/G Ways	Item Code Single Door	MRP/ Unit ₹
4W	4 + 12	GPDTN10031	2,872/-
4W	8 + 12	GPDTN10032	2,924/-
6W	8 + 18	GPDTN10033	3,491/-
8W	8 + 24	GPDTN10034	4,018/-
12W	8 + 36	GPDTN10030	5,225/-

### SPN DISTRIBUTION BOARD

(RAL - 9003 fine white texture, IP 42 - Double Door DB)



#### SPN Distribution Board (Suitable for DP Incoming and SP Outgoing)

No. of Ways	Item Code Double Door	MRP/ Unit ₹
4W	GPDSN20016	1,520/-
6W	GPDSN20012	1,760/-
8W	GPDSN20017	1,920/-
12W	GPDSN20018	2,350/-
16W	GPDSN20019	3,100/-

## DISTRIBUTION BOARDS

### TPN DISTRIBUTION BOARD

(RAL - 9003 fine white texture, IP 42 - Double Door DB)

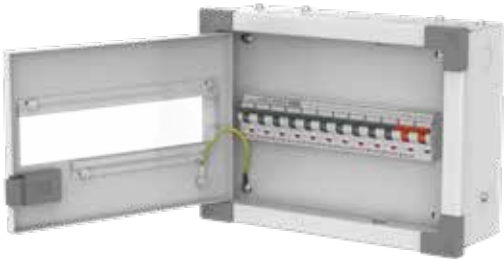


#### TPN Distribution Board (Suitable for FP Incoming and SP Outgoing)

No. of Ways	I/C + O/G Ways	Item Code Double Door	MRP/ Unit ₹
4W	4 + 12	GPDTN20064	3,700/-
4W	8 + 12	GPDTN20065	3,880/-
6W	8 + 18	GPDTN20066	4,690/-
8W	8 + 24	GPDTN20067	5,912/-
12W	8 + 36	GPDTN20068	9,024/-

### SPN ACRYLIC DISTRIBUTION BOARD

(RAL - 9003 fine white texture, IP 42 - Double Door DB)



#### SPN Distribution Board (Suitable for DP Incoming and SP Outgoing)

No. of Ways	Item Code Double Door	MRP/ Unit ₹
4W	GPDSN30006	1,725/-
6W	GPDSN30007	2,083/-
8W	GPDSN30008	2,324/-
12W	GPDSN30009	2,881/-
16W	GPDSN30010	3,851/-

### TPN ACRYLIC DISTRIBUTION BOARD

(RAL - 9003 fine white texture, IP 42 - Double Door DB)



#### TPN Distribution Board (Suitable for FP Incoming and SP Outgoing)

No. of Ways	I/C + O/G Ways	Item Code Single Door	MRP/ Unit ₹
4W	4 + 12	GPDTN30006	4,735/-
4W	8 + 12	GPDTN30007	5,093/-
6W	8 + 18	GPDTN30008	6,400/-
8W	8 + 24	GPDTN30009	8,302/-
12W	8 + 36	GPDTN30010	10,176/-

## DISTRIBUTION BOARDS

### TPN VERTICAL DISTRIBUTION BOARD

(In accordance with IS 13032, IS 8623, IEC / BSEN 61439-3)  
RAL - 9003 fine white texture, IP 42 - Double Door DB



#### TPN Vertical Distribution Board (Suitable for FP Incoming and SP / TP Outgoing)

No. of Ways	I/C + O/G Ways	Item Code Double Door	MRP/ Unit ₹
4W	8 + 12	GPDTN20069	9,967/-
6W	8 + 18	GPDTN20070	11,165/-
8W	8 + 24	GPDTN20071	12,458/-
12W	8 + 36	GPDTN20072	16,161/-

### TPN PPI HORIZONTAL DISTRIBUTION BOARD

(In accordance with IS 13032, IS 8623, IEC / BSEN 61439-3)  
RAL - 9003 fine white texture, IP 42 - Double Door DB



#### TP&N Distribution Board, Per Phase Isolated Neutral (Suitable for FP Incoming and SP Outgoing)

No. of Ways	I/C + O/G Ways	Item Code Double Door	MRP/ Unit ₹
4W	8 + 6 + 12	GPDTN20077	5,705/-
6W	8 + 6 + 18	GPDTN20078	7,362/-
8W	8 + 6 + 24	GPDTN20079	8,769/-
12W	8 + 6 + 36	GPDTN20080	10,603/-

### TPN PPI VERTICAL DISTRIBUTION BOARD

(In accordance with IS 13032, IS 8623, IEC / BSEN 61439-3)  
RAL - 9003 fine white texture, IP 42 - Double Door DB



#### TP&N Distribution Board, Per Phase Isolated Neutral (Suitable for FP Incoming and SP Outgoing)

No. of Ways	I/C + O/G Ways	Item Code Double Door	MRP/ Unit ₹
4W	8 + 6 + 12	GPDTN20046	5,508/-
6W	8 + 6 + 18	GPDTN20047	7,949/-
8W	8 + 6 + 24	GPDTN20048	11,655/-
12W	8 + 6 + 36	GPDTN20049	14,498/-

### FLEXY TIER DISTRIBUTION BOARD

Flexibility of choosing Incomer & Outgoing as per your requirement, RAL - 9003 fine white texture, IP 42 - Double Door DB



#### Distribution Board, With Total Installation Flexibility

No. of Ways	No. of Modules	Item Code Double Door	MRP/ Unit ₹
2 Row of 12 Mod	24	GPDTN20052	3,899/-
3 Row of 12 Mod	36	GPDTN20053	5,120/-
4 Row of 10 Mod	40	GPDTN20054	6,406/-
4 Row of 14 Mod	56	GPDTN20055	7,209/-

## DISTRIBUTION BOARDS

### TPN PHASE SELECTOR (VERTICAL)

(In accordance with IS 13032, IS 8623, IEC / BSEN 61439-3)

RAL - 9003 fine white texture, IP 42 - Double Door DB



#### Suitable for 8 Way Incomer and SP Outgoing with Rotary Switches (Manual Operated)

Selector Rating	No. of Ways	Item Code Double Door	MRP/ Unit ₹
40A	4 Way	GPDTN30021	11,276/-
63A	4 Way	GPDTN30022	13,346/-
40A	6 Way	GPDTN30023	11,465/-
63A	6 Way	GPDTN30024	13,360/-
40A	8 Way	GPDTN30025	12,754/-
63A	8 Way	GPDTN30026	14,178/-

### TPN DISTRIBUTION BOARD, 7 SEGMENT

(In accordance with IS 13032, IS 8623, IEC / BSEN 61439-3)

RAL - 9003 fine white texture, IP 42 - Double Door DB



#### Suitable for FP Incoming and SP Outgoing with Provision of DP RCCB Protection

No. of Ways	I/C + O/G Ways	Item Code Double Door	MRP/ Unit ₹
4W	8 + 6 + 12	GPDTN20073	9,147/-
6W	8 + 6 + 18	GPDTN20074	10,918/-
8W	8 + 6 + 24	GPDTN20075	14,005/-
12W	8 + 6 + 36	GPDTN20076	15,363/-

### TPN DISTRIBUTION BOARD, 8 SEGMENT

(In accordance with IS 13032, IS 8623, IEC / BSEN 61439-3)

RAL - 9003 fine white texture, IP 42 - Double Door DB



#### Suitable for FP Incoming and SP Outgoing with Provision of DP RCCB Protection

No. of Ways	Item Code Double Door	MRP/ Unit ₹
4W	GPDTN20083	9,358/-
6W	GPDTN20084	11,171/-
8W	GPDTN20085	14,327/-
12W	GPDTN20086	15,719/-

### TV TEL DISTRIBUTION BOARD

(In accordance with IS 13032, IS 8623, IEC / BSEN 61439-3)

RAL - 9003 fine white texture, IP 42 - Double Door DB



#### SPN Distribution Board (Suitable for DP Incoming and SP Outgoing)

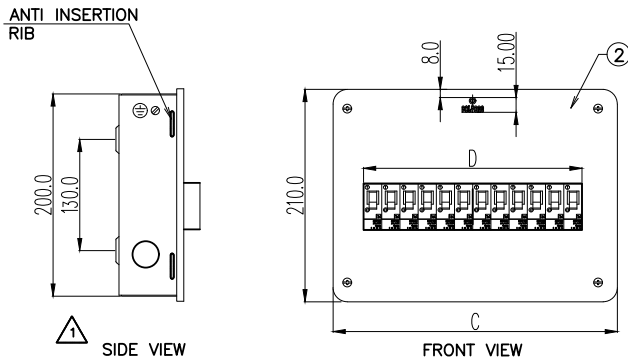
No. of Ways	Item Code Double Door	MRP/ Unit ₹
6W	GPDSN40001	4,272/-
8W	GPDSN40002	4,721/-
12W	GPDSN40003	5,397/-
16W	GPDSN40004	5,960/-

#### TPN Distribution Board (Suitable for FP Incoming and SP Outgoing)

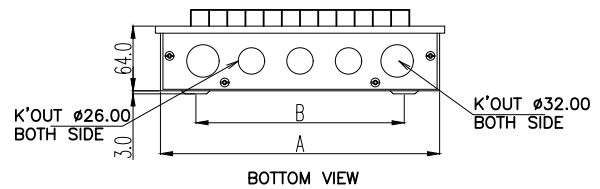
No. of Ways	Item Code Double Door	MRP/ Unit ₹
4W	GPDTN40001	7,874/-
6W	GPDTN40002	8,999/-
8W	GPDTN40003	9,783/-
12W	GPDTN40004	10,686/-

# GA DRAWING OF SPN & TPN DB

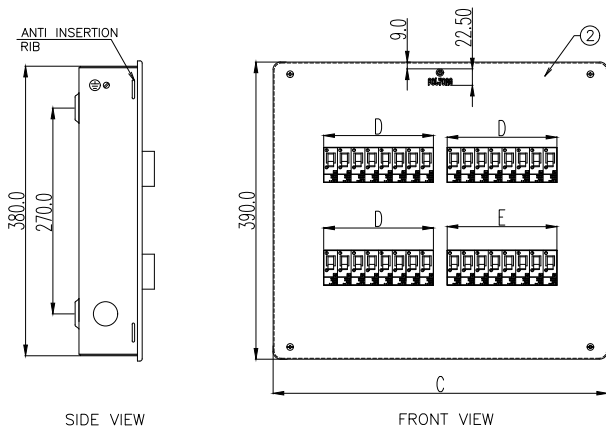
## GA DRAWINGS FOR - SPN DB: IP - 30 (Single Door)



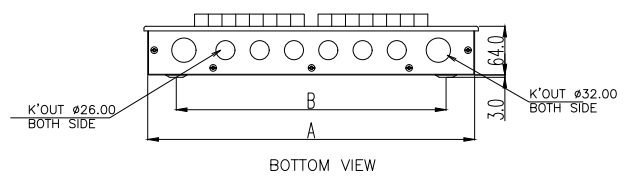
WAY	A	B	C	D
04	132	62	142	72
06	168	98	178	108
08	204	134	214	144
12	276	206	286	216
16	348	278	358	288



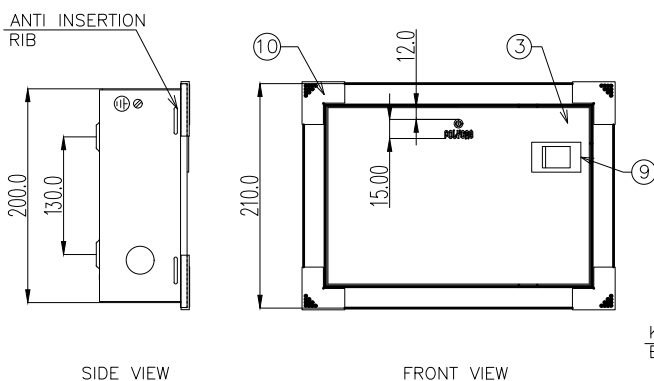
## GA DRAWINGS FOR - TPN DB: IPN - 30 (Single Door)



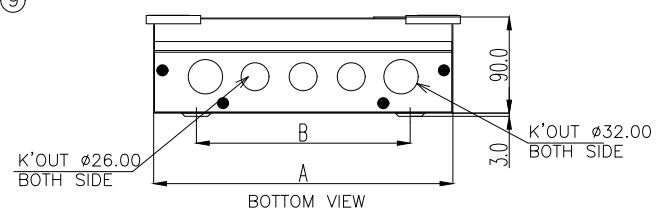
WAY	A	B	C	D	E
04	285	210	295	72	72
04	357	282	367	72	144
06	393	318	403	108	144
08	429	354	439	144	144
12	573	498	583	216	144



## GA DRAWINGS FOR - SPN DB: IPN - 42 (Double Door)



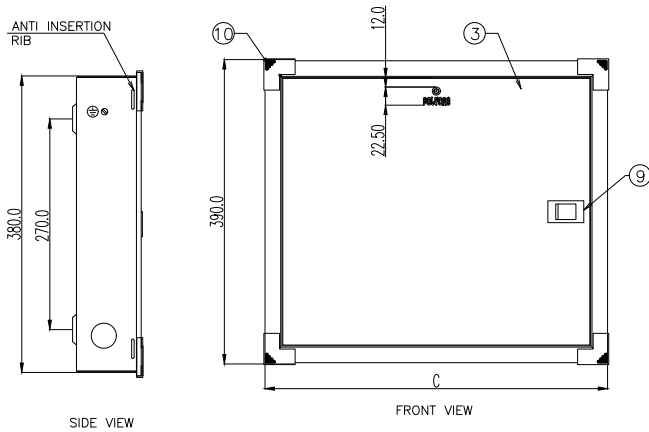
WAY	A	B	C	D
04	136	56	146	72
06	172	92	182	108
08	208	128	218	144
10	244	164	254	180
12	280	200	290	216
16	352	272	362	288



## GA DRAWING OF SPN & TPN DB

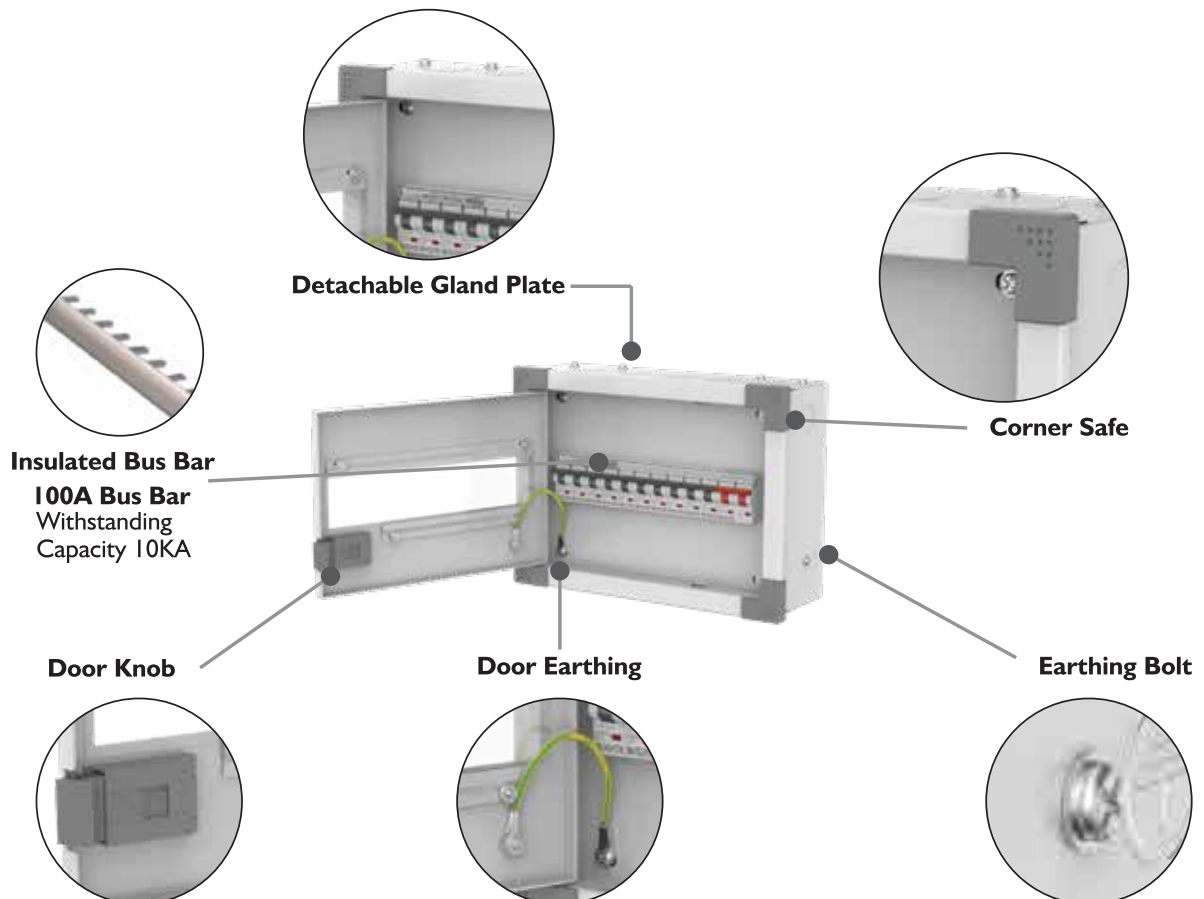
GA DRAWINGS FOR -  
TPN DB: IPN - 42 (Double Door)

WAY	A	B	C	D	E
04	285	210	295	72	72
04	357	282	367	72	144
06	393	318	403	108	144
08	429	354	439	144	144
12	573	498	583	216	144



### DB FEATURES

Conform IS 13032 / 8623  
Adequate Knockout for wiring  
Flush & Surface Mounting



## DISTRIBUTION BOARDS

### Safety And Comfort, Now Just A Cliq Away

Polycab provides the most attractive design when it comes to Distribution Boards. Polycab Cliq Distribution Boards meet all the requirements of modern installation for domestic, commercial or industrial applications. Fabricated with utmost precision and passion The enclosures in Polycab Cliq Distribution Boards are forged from the finest quality steel which gives it a strong build and a flawless finish. The distribution boards are supplied with duly fitted Din Channel, Neutral Link, Earth Bar and Bus Bar along with detachable gland plates. So that the MCBs of desired number and rating can be fitted conveniently at site. Overall Polycab Cliq Distribution boards are a complete package that makes your wall looks classy and premium.



**Polycarbonate  
Transparent Cover**



**IP 42 Protection**



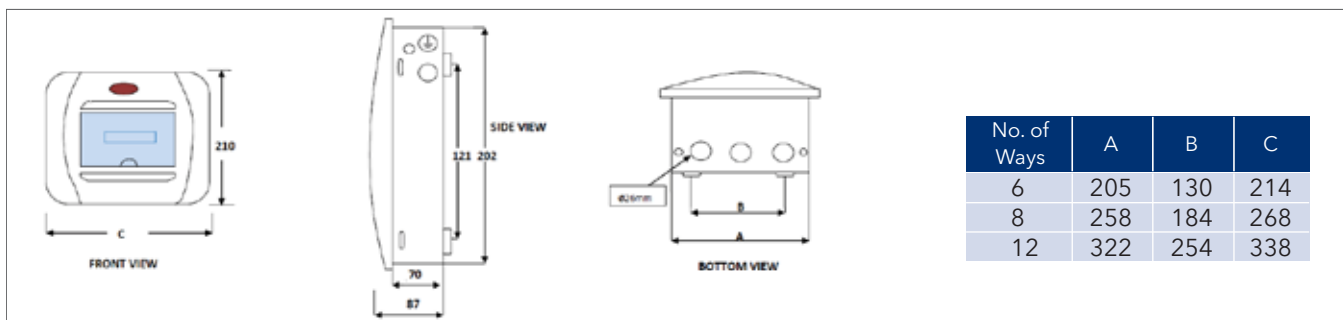
**Incoming Power  
Source Indication**



**Pressing to  
Open Lock**

**Polysield CLIQ**  
SPN Consumer Distribution Board

No. of Ways	NOS OF MCB	CODE	MRP / Unit ₹
6W	I/C +O/G : 6	GPDSN50007	1,590/-
8W	I/C +O/G : 8	GPDSN50008	1,820/-
12W	I/C +O/G : 12	GPDSN50009	2,190/-
16W	I/C +O/G : 16	GPDSN50010	2,795/-



## DECOUR DISTRIBUTION BOARDS

Polycab Designer Distribution Boards are used for the supply and control of electric installations.

### More analytically they are used for

- Separating the installation in various circuits in proportion of the installed load.
- Better protection of circuits.
- Maintenance purpose, so that the rest of the circuits are not effected.
- Each circuit can be individually isolated to have uninterrupted performance under fault condition.



### SALIENT FEATURES

- Plain Corner with Elegant Look
- Improved Designer Knob
- IP 43 protection with Gasket on door
- Optimise Dimension
- 180 Deg Door Opening

### SPN DISTRIBUTION BOARD, DECOUR - GREY WHITE

(In accordance with IS 13032, IS 8632, IS 8623, IED / BSEN 61439-3)  
RAL - 9003 grey white, IP 43 - Double Door DB



#### SPN Decour Distribution Board (Suitable for DP Incoming and SP Outgoing)

No. of Ways	Item Code Double Door	MRP/ Unit ₹
4W	GPDSN29W11	1,730/-
6W	GPDSN29W12	2,025/-
8W	GPDSN29W13	2,200/-
12W	GPDSN29W14	2,750/-
16W	GPDSN29W15	3,390/-



## DECOUR DISTRIBUTION BOARDS

### TPN DISTRIBUTION BOARD, DECOUR - GREY WHITE

(In accordance with IS 13032, IS 8632, IS 8623, IED / BSEN 61439-3)

RAL - 9003 grey white, IP 43 - Double Door DB



#### TPN Decour Distribution Board (Suitable for FP Incoming and SP Outgoing)

No. of Ways	I/C + O/G Ways	Item Code Double Door	MRP/ Unit ₹
4W	8 + 12	GPDTN29W41	4,200/-
6W	8 + 18	GPDTN29W42	5,230/-
8W	8 + 24	GPDTN29W43	6,280/-
12W	8 + 36	GPDTN29W44	9,090/-

### SPN DISTRIBUTION BOARD, DECOUR - WOODEN TEXTURE

(In accordance with IS 13032, IS 8632, IS 8623, IED / BSEN 61439-3)

RAL - 9003 wooden texture, IP 43 - Double Door DB



#### SPN Decour Distribution Board (Suitable for DP Incoming and SP Outgoing)

No. of Ways	Item Code Double Door	MRP/ Unit ₹
4W	GPDSN29D11	2,250/-
6W	GPDSN29D12	2,680/-
8W	GPDSN29D13	2,920/-
12W	GPDSN29D14	3,630/-
16W	GPDSN29D15	4,350/-

### TPN DISTRIBUTION BOARD, DECOUR - WOODEN TEXTURE

(In accordance with IS 13032, IS 8632, IS 8623, IED / BSEN 61439-3)

RAL - 9003 wooden texture, IP 43 - Double Door DB

#### TPN Decour Distribution Board (Suitable for FP Incoming and SP Outgoing)

No. of Ways	I/C + O/G Ways	Item Code Double Door	MRP/ Unit ₹
4W	8 + 12	GPDTN29D41	5,600/-
6W	8 + 18	GPDTN29D42	6,200/-
8W	8 + 24	GPDTN29D43	7,500/-
12W	8 + 36	GPDTN29D44	9,950/-

## DECOUR DISTRIBUTION BOARDS

### SPN DISTRIBUTION BOARD, DECOUR - GOLDEN PASSION TEXTURE

(In accordance with IS 13032, IS 8632, IS 8623, IED / BSEN 61439-3)

RAL - 9003 golden passion texture, IP 43 - Double Door DB

#### SPN Decour Distribution Board (Suitable for DP Incoming and SP Outgoing)

No. of Ways	Item Code Double Door	MRP/ Unit ₹
4W	GPDSN29G11	2,250/-
6W	GPDSN29G12	2,680/-
8W	GPDSN29G13	2,920/-
12W	GPDSN29G14	3,630/-
16W	GPDSN29G15	4,350/-



### TPN DISTRIBUTION BOARD, DECOUR - GOLDEN PASSION TEXTURE

(In accordance with IS 13032, IS 8632, IS 8623, IED / BSEN 61439-3)

RAL - 9003 golden passion texture, IP 43 - Double Door DB

#### TPN Decour Distribution Board (Suitable for FP Incoming and SP Outgoing)

No. of Ways	I/C + O/G Ways	Item Code Double Door	MRP/ Unit ₹
4W	8 + 12	GPDTN29G41	5,600/-
6W	8 + 18	GPDTN29G42	6,200/-
8W	8 + 24	GPDTN29G43	7,500/-
12W	8 + 36	GPDTN29G44	9,950/-

### SPN DISTRIBUTION BOARD, DECOUR - MARBLE TEXTURE

(In accordance with IS 13032, IS 8632, IS 8623, IED / BSEN 61439-3)

RAL - 9003 marble texture, IP 43 - Double Door DB

#### SPN Decour Distribution Board (Suitable for DP Incoming and SP Outgoing)

No. of Ways	Item Code Double Door	MRP/ Unit ₹
4W	GPDSN29M11	2,250/-
6W	GPDSN29M12	2,680/-
8W	GPDSN29M13	2,920/-
12W	GPDSN29M14	3,630/-
16W	GPDSN29M15	4,350/-



# DECOUR DISTRIBUTION BOARDS

## TPN DISTRIBUTION BOARD, DECOUR - MARBLE TEXTURE

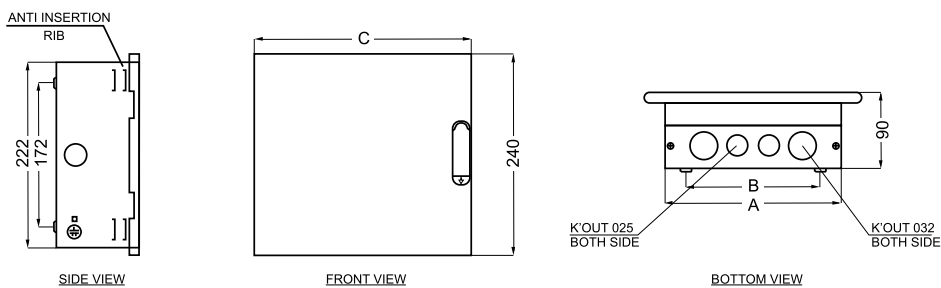
(In accordance with IS 13032, IS 8632, IS 8623, IED / BSEN 61439-3)  
RAL - 9003 marble texture, IP 43 - Double Door DB

TPN Decour Distribution Board (Suitable for FP Incoming and SP Outgoing)			
No. of Ways	I/C + O/G Ways	Item Code Double Door	MRP/ Unit ₹
4W	8 + 12	GPDTN29M41	5,600/-
6W	8 + 18	GPDTN29M42	6,200/-
8W	8 + 24	GPDTN29M43	7,500/-
12W	8 + 36	GPDTN29M44	9,950/-

Note: Packing (Primary / Master): SPN (4 Way / 6 Way / 8 Way) - 1 / 6, SPN (12 Way / 16 Way) - 1 / 4.

### GA DRAWINGS FOR -

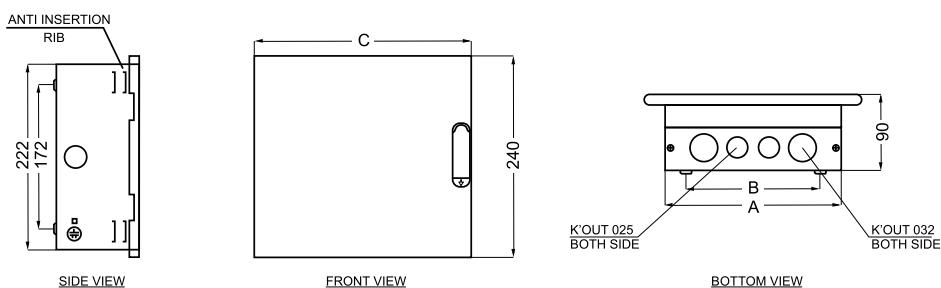
SPN DECOUR DB: IPN - 43 (Double Door)



WAY	A	B	C	D
04	175	125	223	72
06	210	160	258	108
08	247	197	296	144
12	317	267	365	216
16	391	341	439	288

### GA DRAWINGS FOR -

TPN DECOUR DB: IP-43 (Double Door)



WAY	A	B	C	D
04	315	245	360	72
06	350	280	393	108
08	400	340	442	144
12	560	490	602	216

## DECOUR T BOX DISTRIBUTION BOARDS

### Design To Match Your Decour

Polycab Decour T Box is a new age distribution board driven with innovation and technology. Its unique design ensures a smooth supply of power flow and distribution in homes, Offices and industries. Polycab Decour T Box distribution board comes with a transparent cover and elegant look. It also has a raised neutral bar that ensures flexibility and safety enabling safe and efficient distribution of electricity. These boards come with Top & Bottom Detachable Gland Plate with Specially designed plastic knockout which is easy to install and perfectly fits and matches interiors of your home and office spaces.



Safe



Fresh look



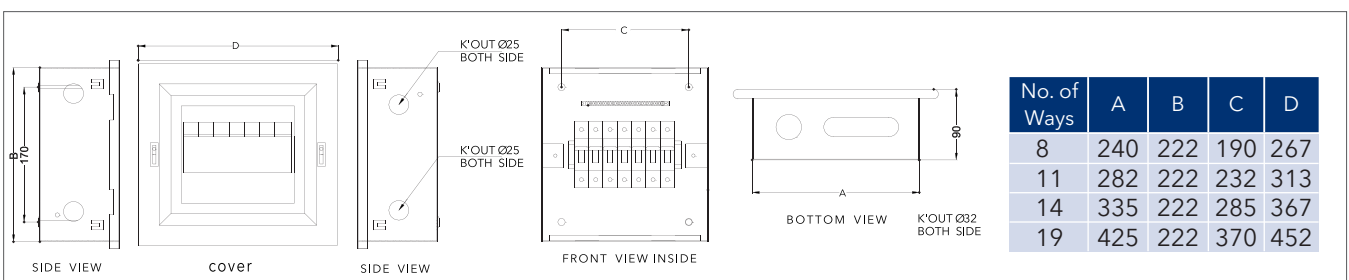
Flexible



Easy to use

**Decour T Box**  
Transparent SPN Double Door DB

No. of Ways	NOS OF MCB	CODE	MRP / Unit ₹
8W	I/C+OG : 8	GPDSN29T13	2,382/-
11W	I/C+OG : 11	GPDSN29T16	2,940/-
14W	I/C+OG : 14	GPDSN29T17	3,660/-
19W	I/C+OG : 19	GPDSN29T18	4,260/-



## WARRANTY POLICY

MCBs	60 Months
RCCBs & RCBOs	36 Months
ACCL	12 Months
DBs	12 Months
Changeover MCBs	24 Months

Polycab's Products carry a warranty against manufacturing defects, subject to use of the Product for the right application with correct wiring / connection and normal operating conditions.

N.B : Warranty for a period of 60 months on MCBs & 36 months on RCCBs when fitted in "Polycab" distribution boards.  
When fitted in any other distribution board, warranty period is 36 months on MCBs & 12 months on RCCBs

- Cables & Wires • Lighting & Luminaires • Switches & Switchgears
- Fans & Appliances • uPVC Conduits & Fittings • Solar



Email: [customercare@polycab.com](mailto:customercare@polycab.com)

Toll Free No For Service :

**1800 267 0008**

- Working Days: Monday to Saturday
- Timings: 9:00 AM to 6:00 PM

### Terms and Conditions:

The prices are inclusive of all Government levies. • Goods are despatched by us on purchaser's risk. • All claims for loss, damage or shortage will be filed by the purchaser directly with carriers. • Disputes, if any are subject to Mumbai jurisdiction only. • Price are subject to change without notice. • MRP mentioned is for per unit & in Indian Rupees • Due to continuous technology upgrades the design & specifications may vary without notice.





## REGIONAL OFFICES

### EAST

**KOLKATA** : Unit No. 1108, 11th Floor, Godrej Genesis, Plot-XI, Block EP & GP Salt Lake, Sector - V, Kolkata - 700091.

### WEST

**MUMBAI** : Polycab House, 771, Mogul Lane, Mahim (W), Mumbai - 400016, Maharashtra.  
Tel. +91 22 2432 7070/4, 6735 1400

### NORTH

**NOIDA** : B9, 1st Floor, Sector - 3, Near Bajaj Bhawan, Noida - 201301. Tel. 01204848550

### SOUTH

**BENGALURU** : B-78, No. 18, 4th Main Road, KSSIDC Industrial Estate, 6th Block. Rajajinagar, Bangalore - 560010.  
Tel. 080 23102172 / 8354



*Connection Zindagi Ka*

Corporate Office:

**POLYCAB INDIA LIMITED**

Polycab House, 771, Mogul Lane, Mahim (W),

Mumbai - 400 016, Maharashtra (India)

Ph.: +91-22-2432 7070/4, 6735 1400,

Email: enquiry@polycab.com,

Toll Free No.: 1800 267 0008,

www.polycab.com

Follow us on:     